




ADATTATORI • ADAPTERS • ADAPTER

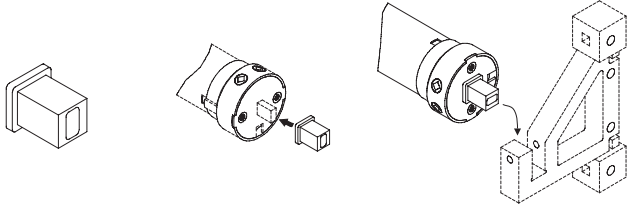
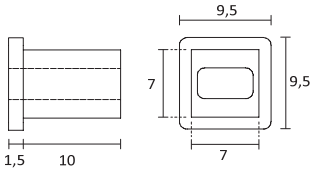
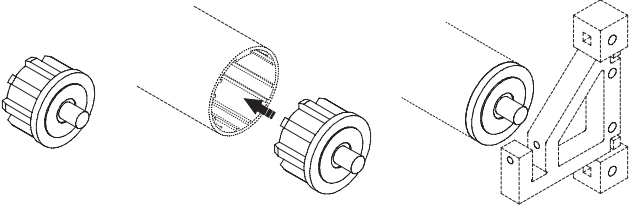
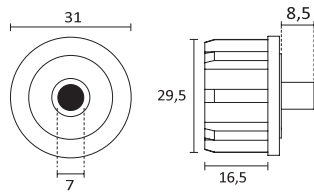
PER MOTORE TUBOLARE Ø 28 (MOON) • FOR TUBULAR MOTOR Ø 28 (MOON) • FÜR ROHRMOTOR Ø 28 (MOON)

STANDARD • STANDARD • STANDARD

<p>ADS.030.TOL</p> <p>ADATTATORE PER RULLO Ø 30 TONDO LISCIO ADAPTER FOR TUBE Ø 30 ROUND SMOOTH ERGÄNZUNGSTÜCK FÜR GLATTES RUNDES Ø 30 ROHR</p>	 <p>30 x 1,2</p>
<p>ADS.030.TCP</p> <p>ADATTATORE PER RULLO Ø 30 TONDO ADAPTER FOR TUBE Ø 30 ROUND ERGÄNZUNGSTÜCK FÜR RUNDES Ø 30 ROHR</p>	 <p>30 x 1,2</p>
<p>ADS.032.TCD</p> <p>ADATTATORE PER RULLO Ø 32 TONDO ADAPTER FOR TUBE Ø 32 ROUND ERGÄNZUNGSTÜCK FÜR RUNDES Ø 32 ROHR</p>	 <p>30 x 1,2</p>

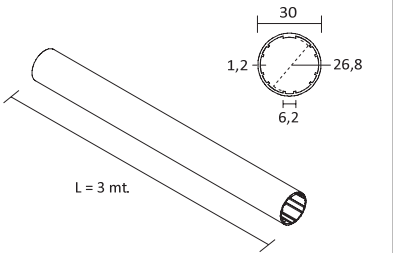
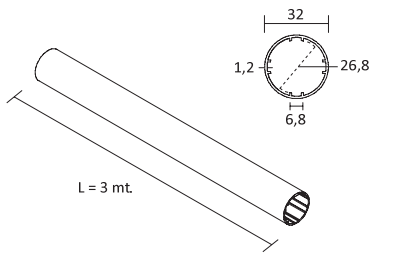
SUPPORTI • BRACKETS • STÜTZEN

PER MOTORE TUBOLARE Ø 28 (MOON) • FOR TUBULAR MOTOR Ø 28 (MOON) • FÜR ROHRMOTOR Ø 28 (MOON)

<p>SUP.PRQ.028</p> <p>SUPPORTO PERNO QUADRO 7x7 SQUARE PIN 7x7 BRACKET HALTERRUNG QUADRAT-PIVOT 7x7</p>				
<p>SUP.028.TCD</p> <p>CALOTTA PER RULLO Ø 32 SHELL FOR TUBE Ø 32 ROUND SHELL FÜR RUNDES Ø 32 ROHR</p>				

RULLI • ROLLERS • ROHRE

PER MOTORE TUBOLARE Ø 28 (MOON) • FOR TUBULAR MOTOR Ø 28 (MOON) • FÜR ROHRMOTOR Ø 28 (MOON)


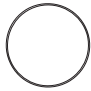
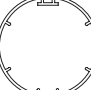
<p>RUL.030.TCP</p> <p>RULLO TONDO Ø 30 mm per motori Ø 28 mm ROUND ROLLER Ø 30 mm for Ø 28 mm motors RUNDES ROHR Ø 30 mm Für motoren Ø 28 mm</p>	 <p>L = 3 mt.</p>	<p>RUL.032.TCD</p> <p>RULLO TONDO Ø 32 mm per motori Ø 28 mm ROUND ROLLER Ø 32 mm for Ø 28 mm motors RUNDES ROHR Ø 32 mm Für motoren Ø 28 mm</p>	 <p>L = 3 mt.</p>
---	--	---	--

Misure espresse in mm • Measurements expressed in mm • Masse in mm


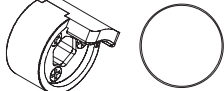
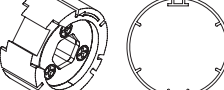
ADATTATORI • ADAPTERS • ADAPTER

PER MOTORE TUBOLARE Ø 40 • FOR TUBULAR MOTOR Ø 40 • FÜR ROHRMOTOR Ø 40

STANDARD • STANDARD • STANDARD



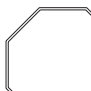


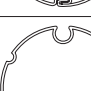
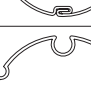
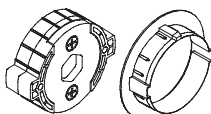
<p>ADS.040.OTT</p> <p>COPPIA ADATTATORI PER RULLO 40 OTTAGONALE ADAPTER FOR TUBE 40 OCTAGONAL 40 ACHTEKENER ROHR ADAPTER</p>	 40 x 0,8
<p>ADS.040.TON</p> <p>COPPIA ADATTATORI PER RULLO 40 TONDO ADAPTER PAIR FOR TUBE 40 ROUND 40 RUNDER ROHR ADAPTER</p>	 40 x 1
<p>ADS.043.TON</p> <p>COPPIA ADATTATORI PER RULLO 43 TONDO ADAPTER PAIR FOR TUBE 43 ROUND 43 RUNDERROHR ADAPTER</p>	 43 x 1

COMPENSATI • OFFSET ADAPTER • KOMPENSIERTE



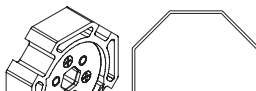





<p>ADC.140.OTT</p> <p>COPPIA ADATTATORI PER RULLO 40 OTTAGONALE ADAPTER FOR TUBE 40 OCTAGONAL 40 ACHTEKENER ROHR ADAPTER</p>	
<p>ADC.140.TON</p> <p>COPPIA ADATTATORI PER RULLO 40 TONDO ADAPTER PAIR FOR TUBE 40 ROUND 40 RUNDER ROHR ADAPTER</p>	
<p>ADC.143.TON</p> <p>COPPIA ADATTATORI PER RULLO 43 TONDO ADAPTER PAIR FOR TUBE 43 ROUND 43 RUNDERROHR ADAPTER</p>	

PER MOTORE TUBOLARE Ø 50 • FOR TUBULAR MOTOR Ø 50 • FÜR ROHRMOTOR Ø 50

STANDARD • STANDARD • STANDARD

<p>ADS.050.TON</p> <p>ADATTATORE PER RULLO 50 TONDO ADAPTER FOR TUBE 50 ROUND 50 RUNDER ADAPTER</p>	 50 x 1,5
<p>ADS.060.TON</p> <p>COPPIA ADATTATORI PER RULLO 60 TONDO ADAPTER PAIR FOR TUBE 60 ROUND 60 RUNDER ROHR ADAPTER</p>	 60 x 1,5
<p>ADS.060.OTT • ADS.060.OTT.RF</p> <p>COPPIA ADATTATORI PER RULLO 60 OTTAGONALE ADAPTER PAIR FOR TUBE 60 OCTAGONAL 60 ACHTEKENER ROHR ADAPTER</p>	 60 x 1
<p>ADS.070.OTT • ADS.070.OTT.RF</p> <p>COPPIA ADATTATORI PER RULLO 70 OTTAGONALE ADAPTER PAIR FOR TUBE 70 OCTAGONAL 70 ACHTEKENER ROHR ADAPTER</p>	 70 x 1,1
<p>ADS.070.OGI • ADS.070.OGI.RF</p> <p>COPPIA ADATTATORI PER RULLO 70 OGIVA ADAPTER PAIR FOR TUBE 70 SECTION 70 SPITZBOGEN ROHR ADAPTER</p>	 70 x 1
<p>ADS.078.OGI • ADS.078.OGI.RF</p> <p>COPPIA ADATTATORI PER RULLO 78 OGIVA ADAPTER PAIR FOR TUBE 78 SECTION 78 SPITZBOGEN ROHR ADAPTER</p>	 78 x 1
<p>ADS.085.OGI</p> <p>COPPIA ADATTATORI PER RULLO 85 OGIVA ADAPTER PAIR FOR TUBE 85 SECTION 85 SPITZBOGEN ROHR ADAPTER</p>	 85 x 1,2
<p>ADS.063.DLX</p> <p>COPPIA ADATTATORI PER RULLO 63 TONDO ADAPTER FOR TUBE 63 ROUND 63 RUNDER ADAPTER</p>	

COMPENSATI • OFFSET ADAPTER • KOMPENSIERTE

<p>ADC.150.TON</p> <p>ADATTATORE PER RULLO 50 TONDO ADAPTER FOR TUBE 50 ROUND 50 RUNDER ADAPTER</p>	
<p>ADC.160.OTT</p> <p>COPPIA ADATTATORI PER RULLO 60 OTTAGONALE ADAPTER PAIR FOR TUBE 60 OCTAGONAL 60 ACHTEKENER ROHR ADAPTER</p>	
<p>ADC.170.OTT</p> <p>COPPIA ADATTATORI PER RULLO 70 OTTAGONALE ADAPTER PAIR FOR TUBE 70 OCTAGONAL 70 ACHTEKENER ROHR ADAPTER</p>	
<p>ADC.170.OGI</p> <p>COPPIA ADATTATORI PER RULLO 70 OGIVA ADAPTER PAIR FOR TUBE 70 SECTION 70 SPITZBOGEN ROHR ADAPTER</p>	
<p>ADC.178.OGI</p> <p>COPPIA ADATTATORI PER RULLO 78 OGIVA ADAPTER PAIR FOR TUBE 78 SECTION 78 SPITZBOGEN ROHR ADAPTER</p>	
<p>ADC.670.OGI.DX • ADC.670.OGI.SX</p> <p>COPPIA ADATTATORI PER RULLO 70 OGIVA ADAPTER PAIR FOR TUBE 70 SECTION 70 SPITZBOGEN ROHR ADAPTER</p>	
<p>ADC.678.OGI.DX • ADC.678.OGI.SX</p> <p>COPPIA ADATTATORI PER RULLO 78 OGIVA ADAPTER PAIR FOR TUBE 78 SECTION 78 SPITZBOGEN ROHR ADAPTER</p>	
<p>ADC.163.DLX.DX • ADC.163.DLX.SX</p> <p>COPPIA ADATTATORI PER RULLO 63 TONDO ADAPTER FOR TUBE 63 ROUND 63 RUNDER ADAPTER</p>	

Misure espresse in mm • Measurements expressed in mm • Masse in mm



<p>SUP.001.000</p> <p>SUPPORTO VERTICALE ASOLATO CON FORO STELLA SLOTTED VERTICAL SUPPORT WITH STAR HOLE SENKRECHTER, GELOCHTER TRÄGER MIT STERNÖFFNUNG</p>		<p>SUP.008.000</p> <p>PIASTRA 100x100 CON SELLA 100x100 PLATE WITH SADDLE PLATTE 100x100 MIT SATTEL</p>	
<p>SUP.002.000</p> <p>SUPPORTO VERTICALE ASOLATO CON SELLA SLOTTED VERTICAL SUPPORT WITH SQUARE SADDLE SENKRECHTER, GELOCHTER TRÄGER MIT SATTEL</p>		<p>SUP.009.000</p> <p>PIASTRA 100x100 MULTIFORO MULTI-HOLE 100x100 PLATE MEHRFACH GELOCHTE PLATTE 100x100</p>	
<p>SUP.003.000</p> <p>SUPPORTO CON FORO STELLA PER MURATURE PREESISTENTI SUPPORT WITH STAR HOLE FOR EXISTING MASONRY TRÄGER MIT STERNÖFFNUNG FÜR BESTEHENDES MAUERWERK</p>		<p>SUP.010.000</p> <p>SUPPORTO ABS FISSAGGIO DIRETTO (MOTORI Ø 40) ABS SUPPORT FOR DIRECT FIXING (MOTORS Ø 40) ABC-TRÄGER DIREKTE BEFESTIGUNG (MOTOREN Ø 40)</p>	
<p>SUP.004.000</p> <p>SUPPORTO OMEGA CON FORO STELLA OMEGA SUPPORT WITH STAR HOLE OMEGA-HALTER MIT STERNÖFFNUNG</p>		<p>SUP.011.000</p> <p>SUPPORTO ABS PER FISSAGGIO DIRETTO (MOTORI Ø 50) ABS SUPPORT FOR DIRECT FIXING (MOTORS Ø 50) ABS-TRÄGER FÜR DIREKTE BEFESTIGUNG (MOTOREN Ø 50)</p>	
<p>SUP.005.000</p> <p>SUPPORTO OMEGA PER TENDE DA SOLE INT.48 FORO QUADRO OMEGA SUPPORT FOR SUN AWNINGS INT.48 SQUARE HOLE OMEGA-HALTER FÜR SONNENMARKISEN INT.48 VIERKANTLOCH</p>		<p>SUP.012.000</p> <p>SUPPORTO ALLUMINIO FISSAGGIO DIRETTO (MOTORI Ø 50) DIRECT FIXING ALUMINIUM SUPPORT (MOTORS Ø 50) ALLUMINIUM-TRÄGER DIREKTE BEFESTIGUNG (MOTOREN Ø 50)</p>	
<p>SUP.006.000</p> <p>PIASTRA FISSAGGIO DIRETTO (MOTORI Ø 50) DIRECT FIXING PLATE (MOTORS Ø 50) PLATTE FÜR DIREKTE BEFESTIGUNG (MOTOREN Ø 50)</p>		<p>SUP.013.000</p> <p>SUPPORTO MOTORE FEMMINA CON SELLA FEMALE MOTOR SUPPORT WITH SADDLE MOTORAUFNHMETRÄGER MIT SATTEL</p>	
<p>SUP.007.000</p> <p>PIASTRA FISSAGGIO DIRETTO (MOTORI Ø 40) DIRECT FIXING PLATE (MOTORS Ø 40) PLATTE FÜR DIREKTE BEFESTIGUNG (MOTOREN Ø 40)</p>		<p>SUP.014.000</p> <p>SUPPORTO CON SELLA QUADRA PER MURATURE PREESISTENTI SUPPORT WITH SQUARE SADDLE FOR PREEXISTENT MASONRY HALTERRUNG MIT EINSATZ-VORRICHTUNG FÜR BESTEHENDES MAUERWERK</p>	

Misure espresse in mm • Measurements expressed in mm • Masse in mm

<p>SUP.015.000</p> <p>PIASTRINA A CROCE (MOTORI Ø 40) CROSS PLATE (MOTORS Ø 40) KREUZ-PLATTE (MOTOREN Ø 40)</p>		<p>SUP.016.000</p> <p>INSERTO FORO STELLA STAR HOLE INSERT STERN-EINSATZ FÜR LOCH-VORRICHTUNG</p>	
<p>SUP.017.000</p> <p>SUPPORTO VERTICALE CON SBLOCCO VERTICAL SUPPORT WITH UNBLOCKING SENKRECHTE HALTERUNG MIT ANTI-BLOCKIERUNGSSYSTEM</p>		<p>SUP.018.000</p> <p>CUSCINETTO UNIVERSALE UNIVERSAL BALL BEARING UNIVERSAL KUGELLAGER</p>	
<p>SUP.019.000</p> <p>CUSCINETTO PER CASSONETTI TERMOISOLANTI BALL BEARING FOR THERMIC INSULATION BOXES KUGELLAGER ZUR WÄRMEISOLIERUNG DER VORRICHTUNG</p>		<p>SUP.020.000</p> <p>CUSCINETTO REGOLABILE CON PERNO M10 ADJUSTABLE BALL BEARING WITH M10 PIN EINSTELLBARE KUGELLAGER MIT PIVOT</p>	
<p>SUP.PRQ.001</p> <p>PERNO QUADRO (MOTORI Ø 50 ELETTRICI) SQUARE PIN (MOTORS Ø 50 ELECTRONICS) 4-KANT WECHSELSTIFT (ELECTRONIC MOTOR Ø 50)</p>		<p>SUP.PRQ.002</p> <p>PERNO QUADRO (MOTORI Ø 50 MECCANICI) SQUARE PIN (MOTORS Ø 50 MECHANICALS) 4-KANT WECHSELSTIFT (MECHANISCHEN MOTOREN Ø 50)</p>	
<p>SUP.PRQ.003</p> <p>PERNO QUADRO 90° (per serie SATURN) SQUARE PIN 90° (series SATURN) QUADRAT-PIVOT 90° (winkel typ SATURN)</p>	<p style="text-align: center;">90°</p>	<p>SUP.PRQ.004</p> <p>PERNO QUADRO 45° (per serie SATURN) SQUARE PIN 45° (series SATURN) QUADRAT-PIVOT 45° (winkel typ SATURN)</p>	<p style="text-align: center;">45°</p>
<p>SUP.PRQ.005</p> <p>PERNO QUADRO (MOTORI Ø 40) SQUARE PIN (MOTORS Ø 40) QUADRAT-PIVOT (MOTOREN Ø 40)</p>		<p>OCS.SAT.115</p> <p>OCCHIOLO PER TENDE DA SOLE H 115 (per serie SATURN) JOINT RING H 115 FOR AWNINGS (series SATURN) OESE FÜR MARKISE H115 (winkel typ SATURN)</p>	

Misure espresse in mm • Measurements expressed in mm • Masse in mm



RULLI / CALOTTE • ROLLERS / CAPS • ROHRE / VERSCHLUSS-KAPPE

<p>SUP.CTP.060 CALOTTA TELESCOPICA TELESCOPIC CAP TELESKOPKAPPE</p> <p>SUP.CTP.070 CALOTTA TELESCOPICA TELESCOPIC CAP TELESKOPKAPPE</p>		<p>RUL.040.OTT RULLO OTTAGONALE Ø 40 mm OCTAGONAL ROLLER Ø 40 mm ACHTECK-ROHR Ø 40 mm</p>	
<p>RUL.060.OTT RULLO OTTAGONALE Ø 60 mm OCTAGONAL ROLLER Ø 60 mm ACHTECK-ROHR Ø 60 mm</p>		<p>RUL.070.OTT RULLO OTTAGONALE Ø 70 mm OCTAGONAL ROLLER Ø 70 mm ACHTECK-ROHR Ø 70 mm</p>	

ANTI EFFRAZIONE • ANTI BREAK-IN DEVICE • EINBRUCHSICHERUNG

<p>AEF.060.APE ANELLO ADATTATORE APERTO OPEN ADAPTOR RING OFFENER ADAPTERRING</p> <p>AEF.070.APE ANELLO ADATTATORE APERTO OPEN ADAPTOR RING OFFENER ADAPTERRING</p>		<p>AEF.MTK.209 PROFILO PROFILE PROFIL</p> <p>AEF.MTK.214</p>	<p>MOTIONBLOK 2 ELEMENTI MOTIONBLOK 2 ELEMENTS MOTIONBLOK 2 ELEMENTEN</p>
<p>AEF.060.CHI ANELLO ADATTATORE CHIUSO CLOSED ADAPTOR RING GESCHLOSSENER ADAPTERRING</p> <p>AEF.070.CHI ANELLO ADATTATORE CHIUSO CLOSED ADAPTOR RING GESCHLOSSENER ADAPTERRINGK</p>		<p>AEF.MTK.309 PROFILO PROFILE PROFIL</p> <p>AEF.MTK.314</p>	<p>MOTIONBLOK 3 ELEMENTI MOTIONBLOK 3 ELEMENTS MOTIONBLOK 3 ELEMENTEN</p>

CAVO PROVA • CABLE TEST • KABEL TEST

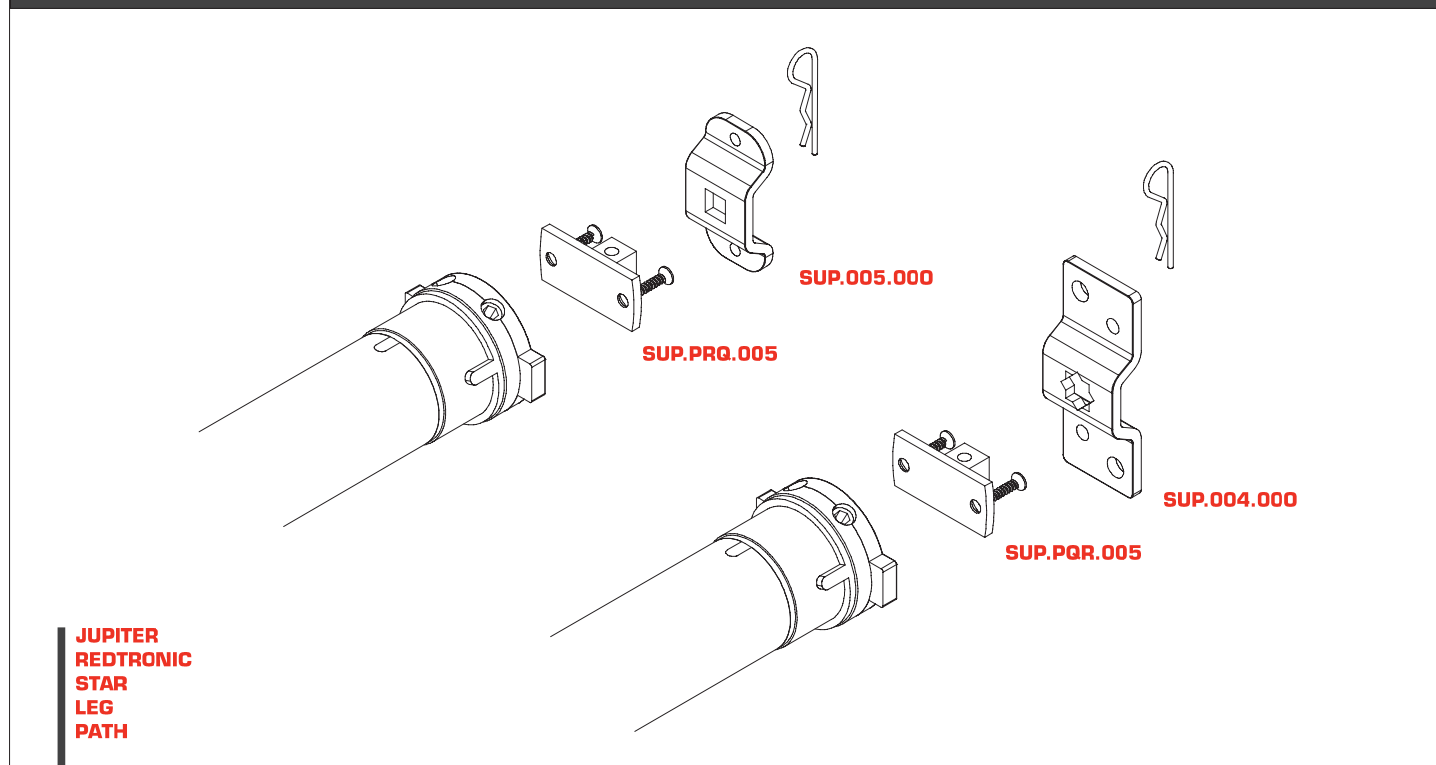
<p>CPM.000.300 CAVO PROVA MOTORI (USO CANTIERE) CABLE TEST MOTORS (USE CANTIERE) KABEL TEST MOTOREN (S. SITE)</p>	
--	--

Misure espresse in mm • Measurements expressed in mm • Masse in mm



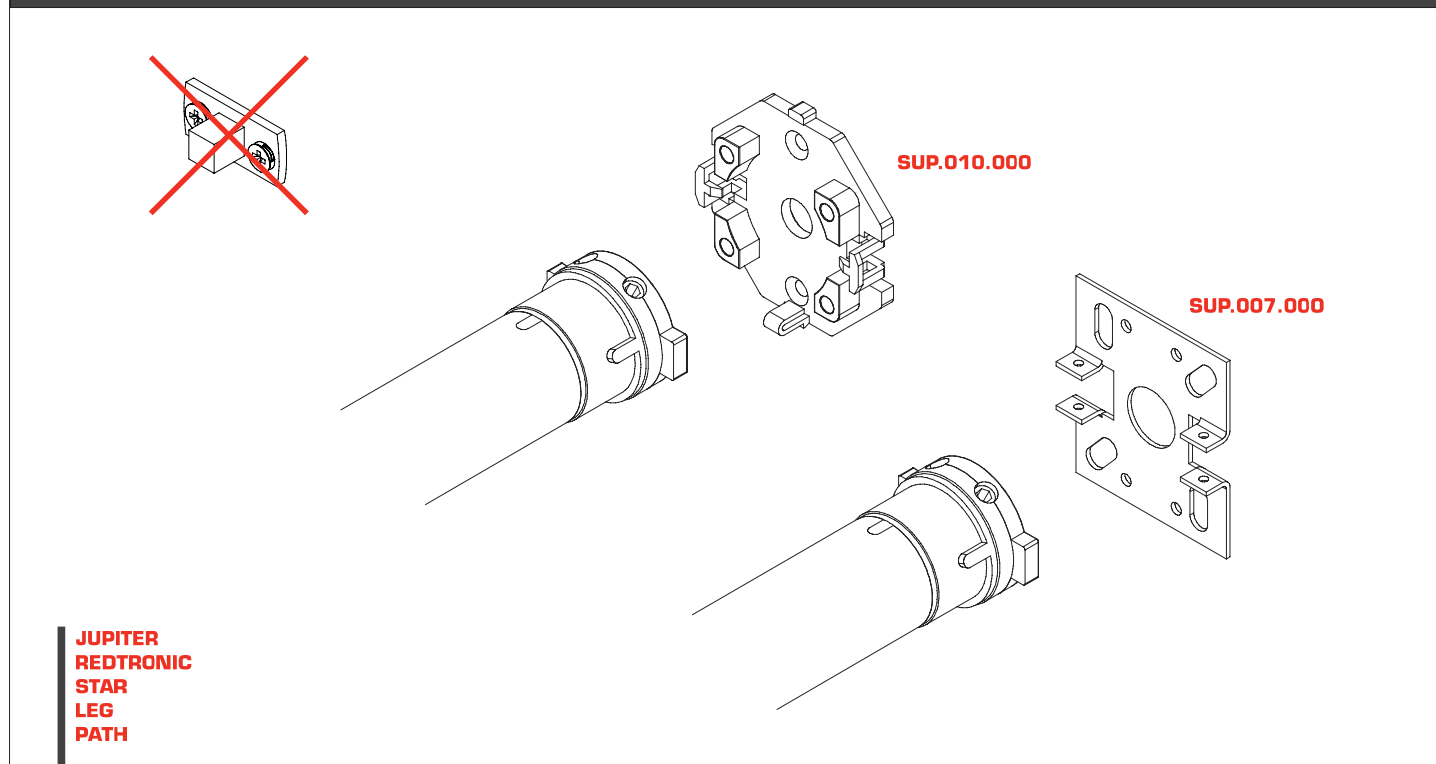
MOTORE TUBOLARE Ø 40 • TUBULAR MOTOR Ø 40 • ROHRMOTOR Ø 40

FISSAGGIO TRADIZIONALE • TRADITIONAL FIXING • TRADITIONELLE FESTIGUNG



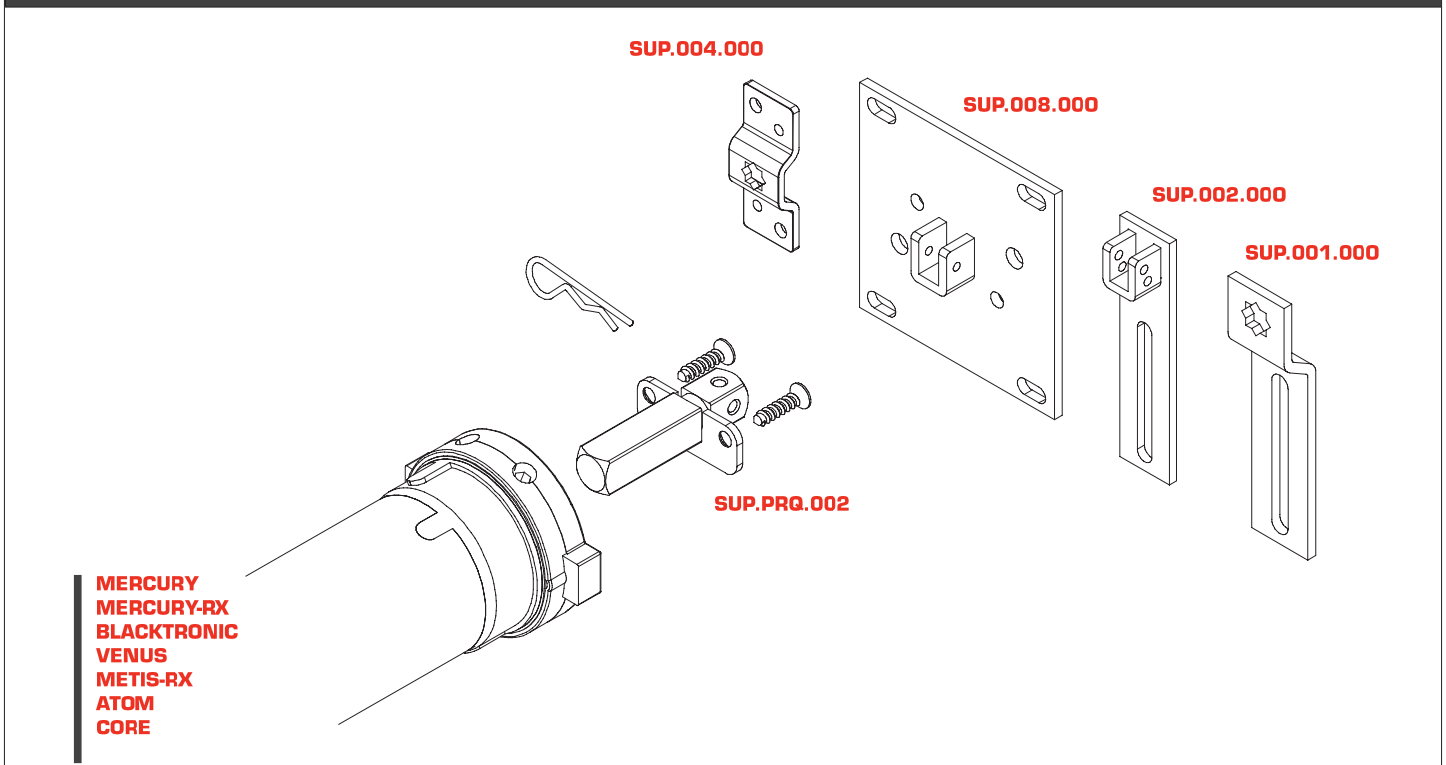
MOTORE TUBOLARE Ø 40 • TUBULAR MOTOR Ø 40 • ROHRMOTOR Ø 40

FISSAGGIO DIRETTO • DIRECT FIXING • DIREKTE FESTIGUNG



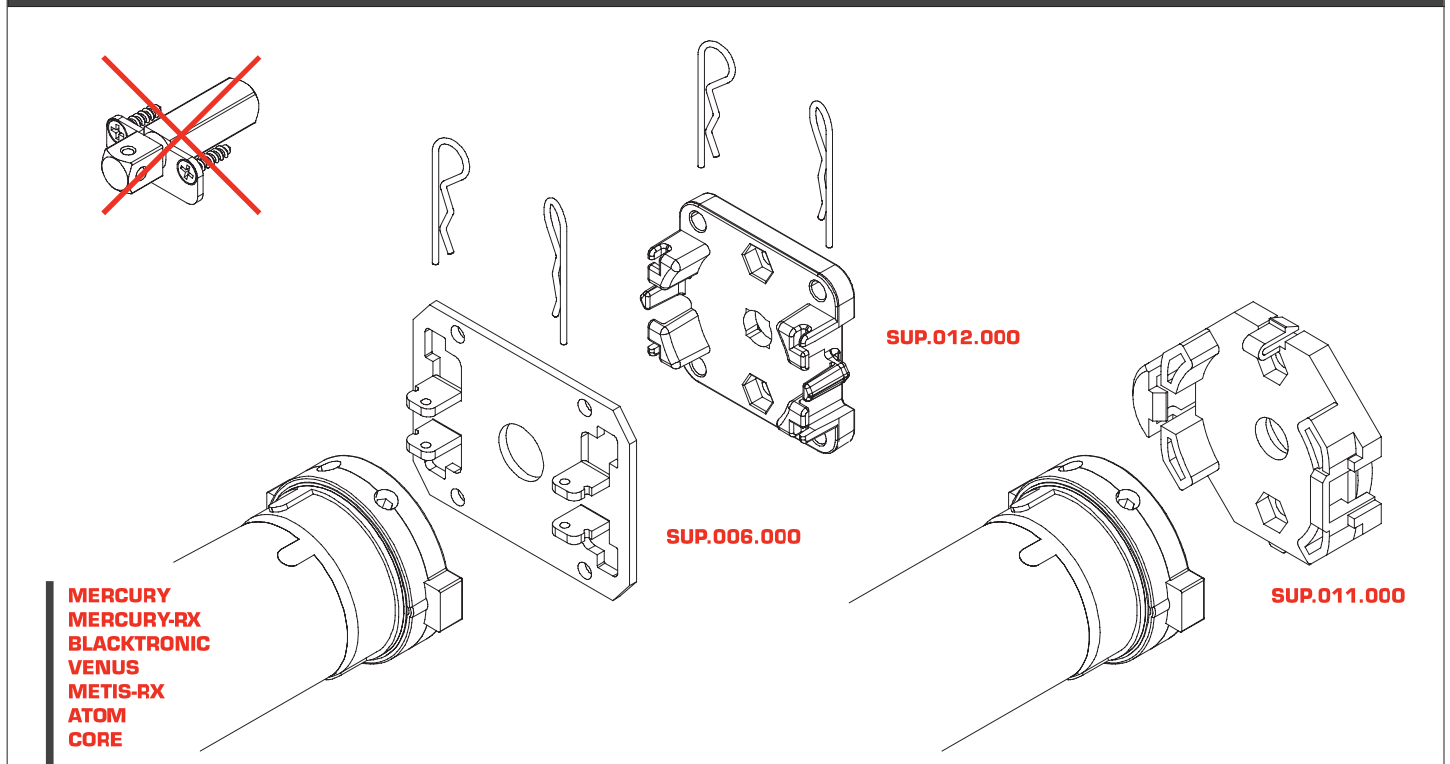
MOTORE TUBOLARE Ø 50 • TUBULAR MOTOR Ø 50 • ROHRMOTOR Ø 50

FISSAGGIO TRADIZIONALE • TRADITIONAL FIXING • TRADITIONELLE FESTIGUNG



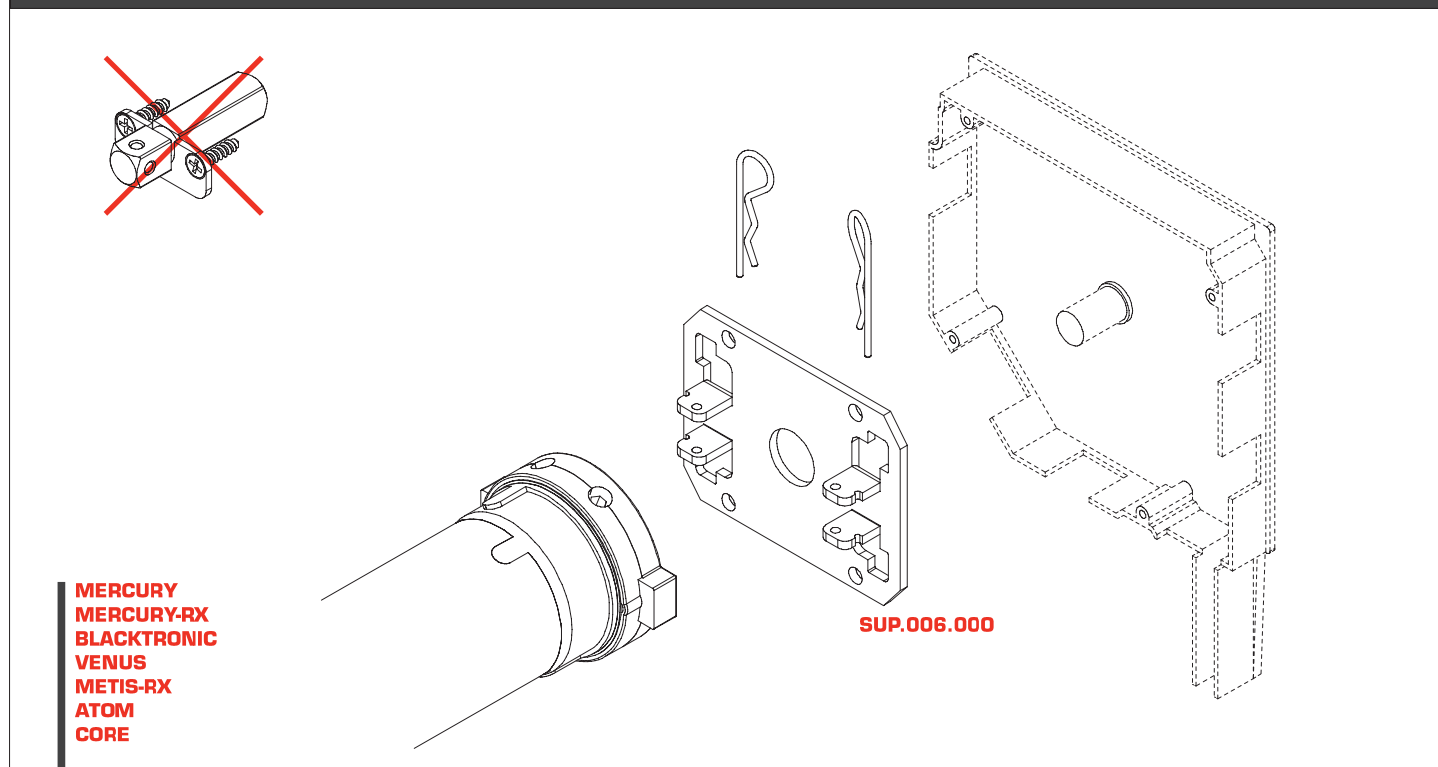
MOTORE TUBOLARE Ø 50 • TUBULAR MOTOR Ø 50 • ROHRMOTOR Ø 50

FISSAGGIO DIRETTO • DIRECT FIXING • DIREKTE FESTIGUNG



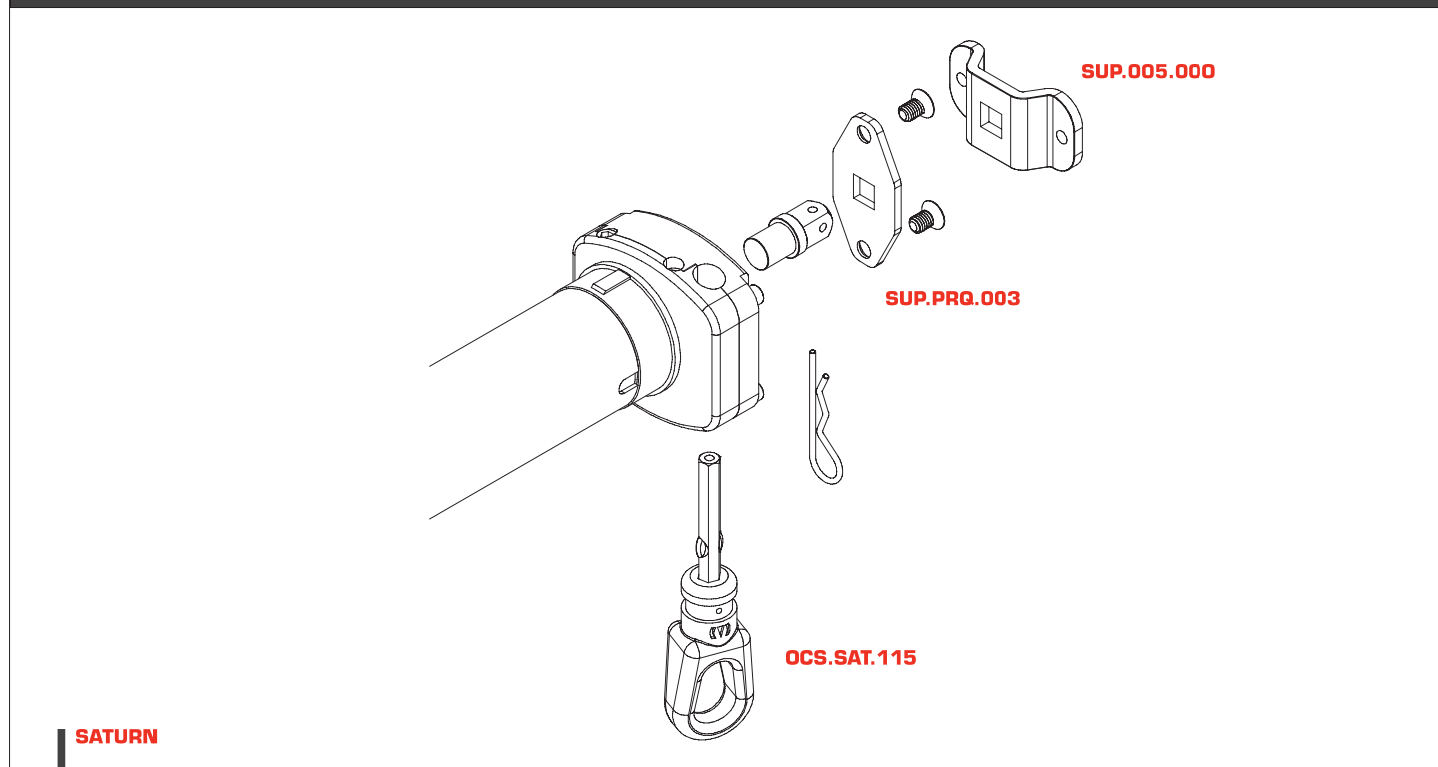
MOTORE TUBOLARE Ø 50 • TUBULAR MOTOR Ø 50 • ROHRMOTOR Ø 50

FISSAGGIO DIRETTO • DIRECT FIXING • DIREKTE FESTIGUNG



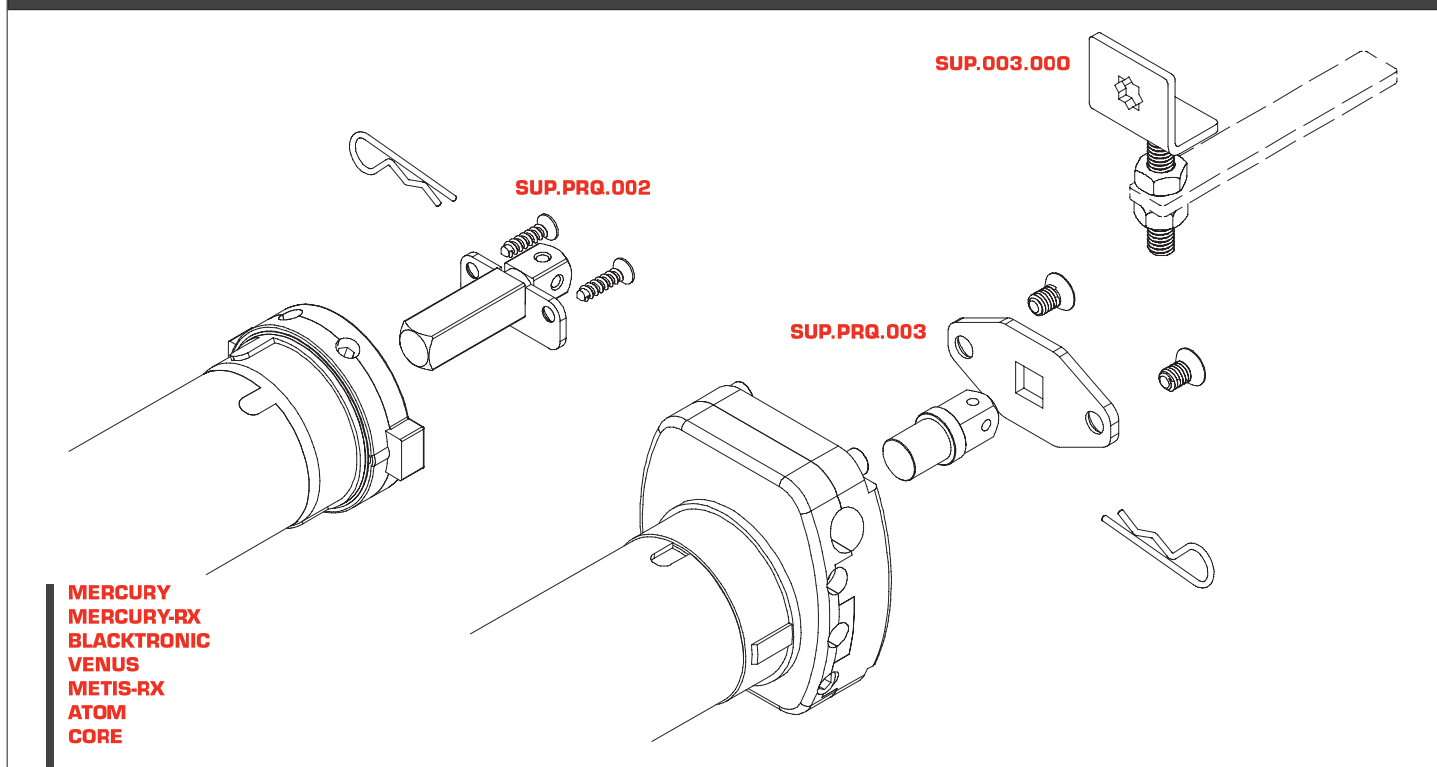
MOTORE TUBOLARE Ø 50 • TUBULAR MOTOR Ø 50 • ROHRMOTOR Ø 50

FISSAGGIO TRADIZIONALE • TRADITIONAL FIXING • TRADITIONELLE FESTIGUNG



MOTORE TUBOLARE Ø 50 • TUBULAR MOTOR Ø 50 • ROHRMOTOR Ø 50

FISSAGGIO TRADIZIONALE • TRADITIONAL FIXING • TRADITIONELLE FESTIGUNG



MOTORE TUBOLARE Ø 50 • TUBULAR MOTOR Ø 50 • ROHRMOTOR Ø 50

ESEMPIO DI MONTAGGIO • ASSEMBLY EXAMPLE • MONTIER MÖGLICHKEIT

